
FLOW-TEK
SERIES F15/F30
METAL SEATED FLANGED SERIES

2 PIECE FLANGED FULL PORT - 1/2" - 6" (DN 15 - 150)



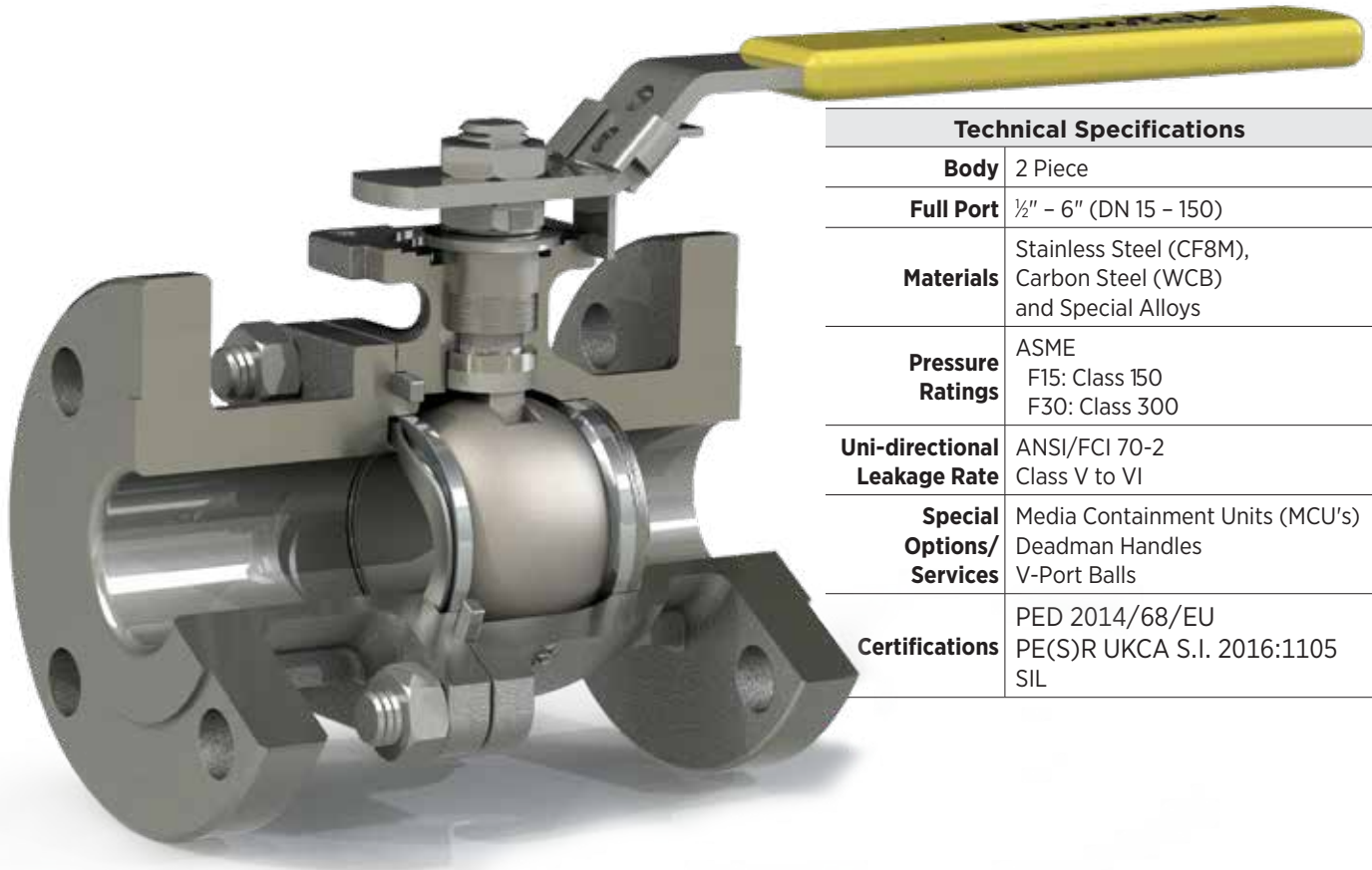
 **Bray**[®]

WWW.BRAY.COM

THE HIGH PERFORMANCE COMPANY

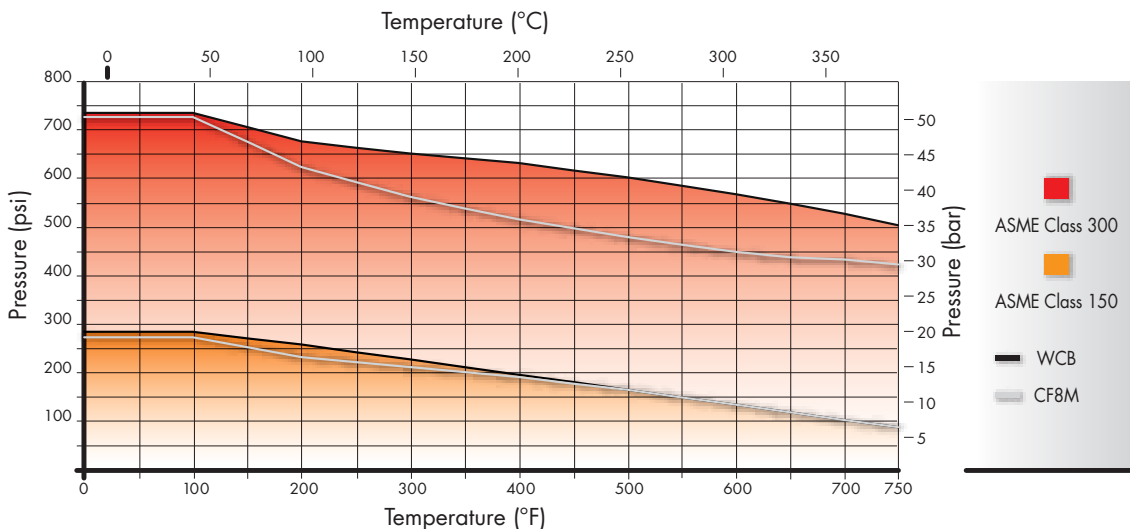
Flow-Tek, Inc. is proud to offer our uni-directional, metal seated design as an additional option to our soft seated full port flanged series. This option increases the temperature rating to 750°F (399°C) and enhances wear resistance, while maintaining the proven safety and reliability of existing Flow-Tek valves. With our modular, interchangeable

part system, the modification kit can be used in our ASME and EN valves for sizes ranging from ½" - 6" (DN 15-150). For specific valve dimensional data and Cv values please refer to F15/30 or F15 EN brochures which are available at www.Flow-Tek.com.



Technical Specifications	
Body	2 Piece
Full Port	½" - 6" (DN 15 - 150)
Materials	Stainless Steel (CF8M), Carbon Steel (WCB) and Special Alloys
Pressure Ratings	ASME F15: Class 150 F30: Class 300
Uni-directional Leakage Rate	ANSI/FCI 70-2 Class V to VI
Special Options/ Services	Media Containment Units (MCU's) Deadman Handles V-Port Balls
Certifications	PED 2014/68/EU PE(S)R UKCA S.I. 2016:1105 SIL

Pressure / Temperature



Components and Materials

Item / Name	Stainless Steel	Carbon Steel	Qty.
1 Body	ASTM A351 Gr CF8M	ASTM A216 Gr WCB	1
2 End Cap	ASTM A351 Gr CF8M	ASTM A216 Gr WCB	1
3 Ball	ASTM A351 Gr CF8M/Chrome Carbide ASTM A351 Gr CF8M/Hard Chrome		1*
4A Upstream Seat	ASTM A351 Gr CF8M/Chrome Carbide ASTM A351 Gr CF8M/Stellite® 6		1*
4B Downstream Seat	ASTM A351 Gr CF8M/Chrome Carbide ASTM A351 Gr CF8M/Stellite® 6		1*
5 Stem	SS660 or 17-4 PH		1*
6 Body Seal	Spiral Wound (316/Graphite)		1*
7 Body Nut	ASTM A194 Gr 8	ASTM A194 2H	**
8 Body Stud	ASTM A193 B8	ASTM A193 B7	**
11 Thrust Washer	UNS S21800 (Nitronic® 60)		1*
14 Stem Packing	Graphite		1*
15 Packing Gland	ASTM A167 Type 304		1
18 Belleville Washer	SS301		2
19 Tab Lock Washer	SS304		1
23 Travel Stop Sleeve	ASTM A167 Type 304		1
24 Travel Stop Bolt	SS300		1
25 Handle	SS304/ Ductile Iron***		1
26 Lock Nut	ASTM A167 Type 304		2
28 Handle Sleeve	Vinyl through 2" [50mm]		1
29 Locking Device	SS304		1
44 Seat Seal	Graphite		1*
45 Wave Spring	17-7 or Inconel® 718		1*

*Recommended spare parts that are available as a packaged repair kit.

**Quantity depends on valve size.

***Ductile iron used for valve sizes $\geq 2\frac{1}{2}$ "

Inconel® is a registered trademark of Inco Alloys International, Inc.

Stellite® is a Registered trademark of Kennametal.

Nitronic® is a Registered trademark of AK Steel.

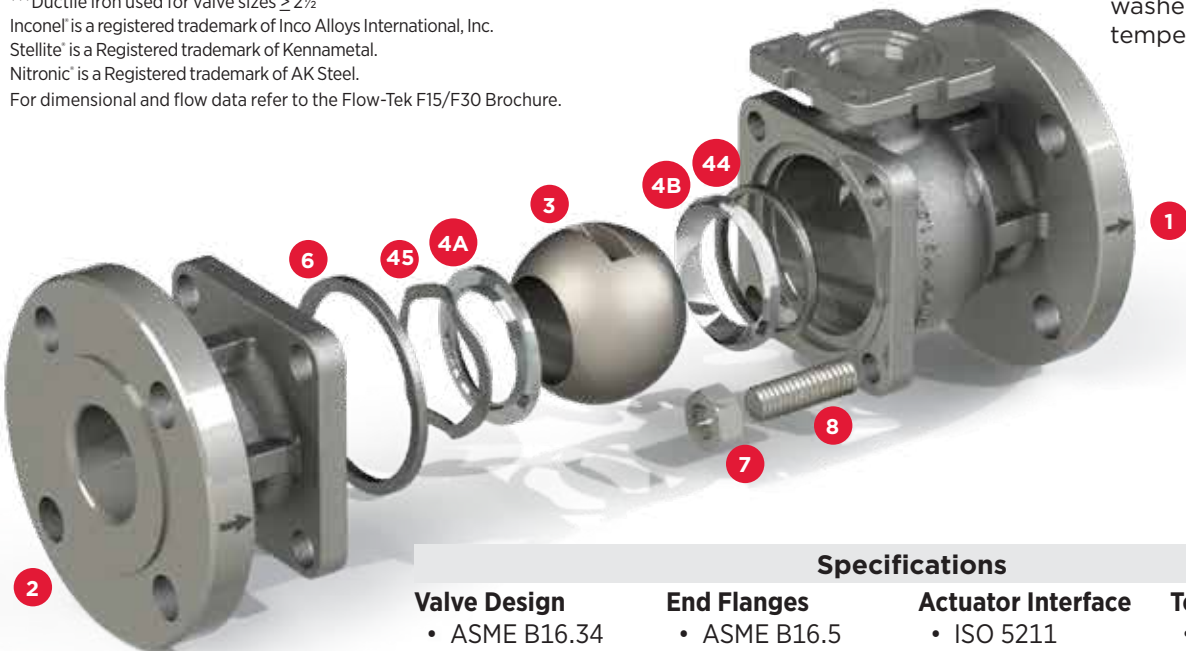
For dimensional and flow data refer to the Flow-Tek F15/F30 Brochure.



Features

Mate-lapped ball and seat set utilizes a high performance coating that provides superior wear resistance, reduced torque, and an extended sealing surface life.

- > Truly blowout proof, one-piece stem, constructed from high strength alloys.
- > Wave spring generates precise loading of the ball/seat interface allowing for low torque operation, tight shutoff, and thermal expansion throughout the full range of valve operating conditions.
- > Graphite seals offer high temperature sealing and broad spectrum chemical compatibility.
- > Galling-resistant Nitronic® 60 thrust washer suitable for high temperature service.



Specifications

Valve Design

- ASME B16.34
- API 608
- MSS SP-72

End Flanges

- ASME B16.5
- ### Face to Face
- ASME B16.10

Actuator Interface

- ISO 5211

Testing

- API 598
- MSS SP-61
- ANSI/FCI 70-2

SINCE 1986, BRAY HAS PROVIDED FLOW CONTROL SOLUTIONS FOR A VARIETY OF INDUSTRIES AROUND THE WORLD.

VISIT **BRAY.COM** TO LEARN MORE ABOUT BRAY PRODUCTS AND LOCATIONS NEAR YOU.

HEADQUARTERS

Bray International, Inc.

13333 Westland East Blvd.

Houston, Texas 77041

Tel: +1.281.894.5454

All statements, technical information, and recommendations in this bulletin are for general use only. Consult Bray representatives or factory for the specific requirements and material selection for your intended application. The right to change or modify product design or product without prior notice is reserved. Patents issued and applied for worldwide. Bray[®] is a registered trademark of Bray International, Inc.

© 2022 BRAY INTERNATIONAL, INC. ALL RIGHTS RESERVED. BRAY.COM

2402_F15_F30_MetalSeated_10_3_2022



THE HIGH PERFORMANCE COMPANY

BRAY.COM