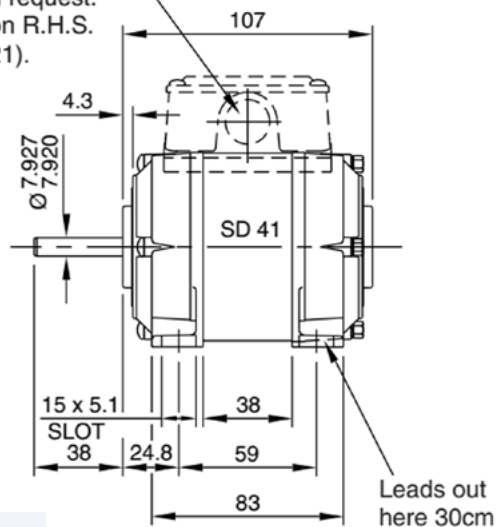


4 holes on 41.3mm P.C.D.
Can be tapped M5 × 8mm deep.

Optional terminal box tapped 20mm conduit or PG 13.5 on request. Standard entry position R.H.S. (Not available on SD21).



all dimensions in mm

Part number key

Modular	#####
Standard	#####
Calculated data	#####

Please see our customisation options page for details on the modifications available on our products. Advice and guidance on these options are available from your local sales contact.

Note: Brakes are not available on TEFC (Totally Enclosed Fan Cooled) motors.

Technical data

1 Part number		-	-	-	-	-	-	-	-
2 Phases		1	1	1	1	3	3	3	3
3 Frequency	Hz	50	50	60	60	50	50	60	60
4 Nominal voltage	V AC	230	230	115	115	400	400	230	230
5 Nominal power	W	10	25	10	25	10	25	10	25
6 Nominal speed	rpm	1400	2800	1700	3400	1400	2800	1700	3400
7 Nominal continuous torque (S1)	Nm	0.07	0.09	0.06	0.07	0.09	0.10	0.07	0.08
8 Nominal continuous current (S1)	A	0.20	0.25	0.60	0.70	0.14	0.14	-	-
9 Starting Current	A	0.50	0.63	1.50	1.75	0.35	0.35	0	0
10 Input Watts	W	40	65	-	-	47	58	-	-
11 Capacitor Value	M.F.D	3	2.5	10	8.4	-	-	-	-
12 Starting Torque Full Load	%	100	100	100	100	150	150	150	150
13 Stack length	mm	38	38	38	38	38	38	38	38
14 Number of poles		4	2	4	2	4	2	4	2
15 Rotor inertia	Kg/cm ²	-	-	-	-	-	-	-	-

Thermal data

16 Ambient temperature	°C	40
------------------------	----	----

Mechanical data

17 Radial load [distance from flange]	N [mm]	110 [15]
---------------------------------------	--------	----------

Other data

18 Weight	Kg	2.1
19 Enclosure		VENT/TE
20 IP Rating - Ventilated		IP20
21 IP Rating - TE/TEFC		IP54
22 Insulation Class		F
23 Type		Permanent capacitor, asynchronous
24 Direction		Reversible

Compatible products

Gearbox	+L mm
S Box	59
SWS	110
SIS	72
GB28	85
GB36	166
GB56	103
GB58	50

Brake	+L mm
0.4 Nm	35

+L mm = approximate added length*

Compatible products key

Product name	Standard combination
Product name	Modular combination

*additional length may also be required for mounting flange between components