

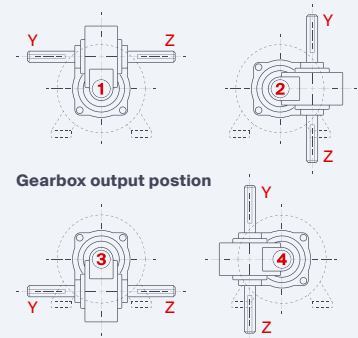
Part number key												
Modular	#####											
Standard	#####											
Calculated data	#####											
Technical data												
1 Part number		-	-	-	-	-	-	-	-	-	-	-
2 Gear ratio ¹	:1	4	6	10	16	20	30	40	54	60	72	
3 Stages		1	1	1	1	1	1	1	1	1	1	
4 Max. continuous torque (S1) ²	Nm	8.0	8.0	8.0	8.0	8.0	8.0	8.0	7.0	6.0	5.0	
5 Max. intermittent torque	Nm	13.0	13.0	13.0	13.0	13.0	13.0	13.0	11.0	10.0	8.0	
6 Efficiency	%	85	85	82	77	74	70	65	56	54	46	
7 Backlash	arc.min	10-25	10-25	10-25	10-25	10-25	10-25	10-25	10-25	10-25	10-25	
8 Max. axial load (dynamic)	N	300	300	300	300	300	300	300	300	300	300	
9 Max. radial load, 12 mm from flange	N	350	350	350	350	350	350	350	350	350	350	
10 Weight	Kg	0.7	0.7	0.7	0.7	0.7	0.7	0.7	0.7	0.7	0.7	
11 Gear material		Composite	Composite	Composite	Composite	Composite	Composite	Composite	Composite	Composite	Composite	

Notes: Custom shaft available on request.
¹Other ratios available on request (!): 5, 8, 9, 12, 13, 14, 18, 25, 33, 44, 48, 66

² S1 duty cycle based on 2000 RPM input speed

Compatible products

Motor	+L mm
PMDC motor	
BRx63-40	110
BRx63-55	125
BRx70-40	125
BRx70-60	146
BLDC motor	
BLx60-40	85
PBL60-50	90
PBL60-70	110



+L mm = approximate added length

*additional length may also be required for mounting flange between components