
SERIES 746

BIDIRECTIONAL SLURRY VALVES

2" to 24" 240psi (16bar)



 **Bray**[®]

BRAY.COM

THE HIGH PERFORMANCE COMPANY

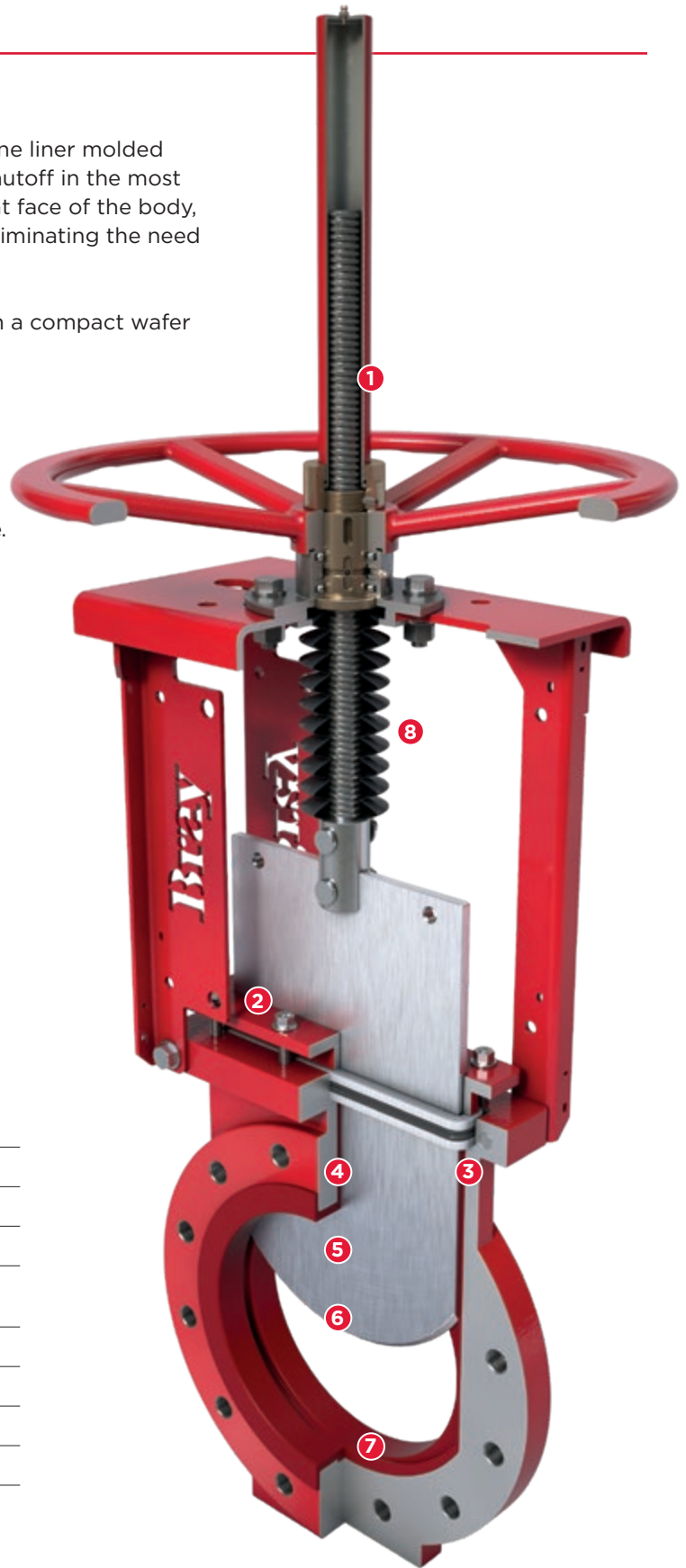
FEATURES & BENEFITS

DESIGN FEATURES

The Bray Series 746 features a one-piece polyurethane liner molded throughout the body and chest providing Class VI shutoff in the most abrasive applications. The liner extends over the front face of the body, ensuring total protection from abrasive media and eliminating the need for additional gaskets.

The one-piece, durable ductile iron body is offered in a compact wafer style for ease of handling and installation.

- 1 Protective stem cover is standard increasing cycle life in hazardous environments.
- 2 Live-loaded packing gland extends gate life preventing leakage and discharge from top of valve.
- 3 Standard one-piece ductile iron body with molded urethane liner throughout.
- 4 Polyurethane body liner is rated up to 80°C/176°F and completely protects valve body from abrasive line media.
- 5 Unrestricted flow path with minimal pressure drop achieved through full port valve design for extended valve life.
- 6 Robust gate available in a wide range of corrosion resistant alloys to suit the application.
- 7 Seat and port designed to be flush eliminating cavities where media can collect and prevent full gate closure.
- 8 Protective stem cover/rod boot is standard across the entire product offering.



SPECIFICATIONS

Size Range	2" to 24" (50 - 600mm)
Pressure Rating	2" to 24" (600mm) 240psi (16bar)
Body Style	One-piece (Wafer)

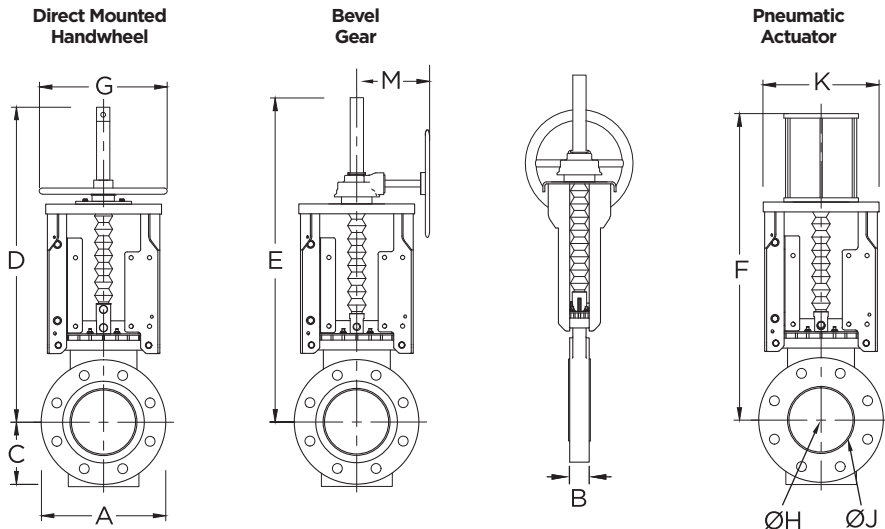
STANDARDS

Design	Manufacturer Standard
Testing	MSS SP-81
Face-to-face	MSS-SP-81
Drilling*	ASME B16.5 CL150

*Additional drilling options available. Consult factory for availability.

STANDARD CONSTRUCTION

Body	Gate	Liner	Stem	Gland	Packing	Topworks
DI	316	Polyurethane	304	DI	PTFE impregnated synthetic fiber	Steel



Consult factory for hydraulic and electric actuators dimensions.

DIMENSIONS (Inches)											
NPS	A	B	C	D	E	F	ØG	ØH	ØJ	K	M
2	6.50	1.57	3.35	23.35	--	24.13	11.81	1.85	2.01	11.22	--
3	7.48	1.97	4.33	24.88	--	26.89	11.81	2.80	2.99	11.22	--
4	9.25	1.97	4.80	25.75	--	29.51	11.81	3.82	4.02	11.34	--
6	11.34	2.36	5.71	36.93	--	36.12	19.69	5.79	5.98	13.19	--
8	13.39	2.36	7.09	41.85	--	43.25	19.69	7.72	7.99	14.09	--
10	15.94	2.76	8.19	45.67	42.56	50.89	19.69	9.72	10.00	15.16	15.45
12	19.09	3.15	9.76	51.42	47.83	57.11	23.62	11.77	11.97	16.73	16.24
14	20.71	3.15	10.35	61.42	54.17	64.29	23.62	12.95	13.27	18.70	17.22
16	23.82	3.54	12.13	65.35	62.40	73.15	27.56	15.00	15.24	23.62	19.69
18	25.59	3.54	12.99	75.08	66.69	77.34	27.56	17.01	17.32	26.18	20.96
24	35.43	4.33	18.11	86.61	84.25	94.11	27.56	19.02	19.25	35.91	25.83

DIMENSIONS (Millimeters)											
DN	A	B	C	D	E	F	ØG	ØH	ØJ	K	M
50	165	40	85	593	--	613	300	47	51	285	--
80	190	50	110	632	--	683	300	71	76	285	--
100	235	50	122	654	--	750	300	97	102	288	--
150	288	60	145	938	--	918	500	147	152	335	--
200	340	60	180	1063	--	1099	500	196	203	358	--
250	405	70	208	1160	1081	1293	500	247	254	385	393
300	485	80	248	1306	1215	1451	600	299	304	425	413
350	526	80	263	1560	1376	1633	600	329	337	475	438
400	605	90	308	1660	1585	1858	700	381	387	600	500
450	650	90	330	1907	1694	1965	700	432	440	665	533
600	900	110	460	2200	2140	2391	700	483	489	912	656

Dimensions given above are indicative. Please request certified drawings for piping layout.

WEIGHTS (lbs)											
Size (in.)	2	3	4	6	8	10	12	14	16	18	24
Handwheel	46	57	71	132	174	231	326	419	615	679	1252
Gear Operator	--	--	--	--	--	238	331	423	666	765	1413

WEIGHTS (kg)											
Size (mm)	50	80	100	150	200	250	300	350	400	450	600
Handwheel	21	26	32	60	79	105	148	190	279	308	568
Gear Operator	--	--	--	--	--	108	150	192	302	347	641

*Approximate weight shown, consult factory for additional configurations

ACTUATOR OPTIONS

Direct Mounted Handwheel - Standard
Bevel Gear
Pneumatic
Hydraulic
Electric

PACKING OPTIONS

PTFE impregnated synthetic fiber	232°C/450°F
PTFE w/Buna-N Quad Seal	90°C/194°F

GATE OPTIONS

316, 317 Stainless Steel
SAF 2507 Duplex
SAF 2205 Duplex
17-4PH Stainless Steel
Hastelloy® C
Monel®

BODY OPTIONS

Carbon Steel (WCB)
CF8 Stainless Steel
CF8M Stainless Steel
CF3M Stainless Steel
SAF 2205 Duplex
SAF 2507 Duplex

Additional material options may be available upon request. Consult factory for availability.

SINCE 1986, BRAY HAS PROVIDED FLOW CONTROL SOLUTIONS FOR A VARIETY OF INDUSTRIES AROUND THE WORLD.

VISIT **BRAY.COM** TO LEARN MORE ABOUT BRAY PRODUCTS AND LOCATIONS NEAR YOU.

HEADQUARTERS

Bray International, Inc.

13333 Westland East Blvd.

Houston, Texas 77041

Tel: +1.281.894.5454

All statements, technical information, and recommendations in this bulletin are for general use only. Consult Bray representatives or factory for the specific requirements and material selection for your intended application. The right to change or modify product design or product without prior notice is reserved. Patents issued and applied for worldwide. Bray® is a registered trademark of Bray International, Inc.

© 2022 BRAY INTERNATIONAL, INC. ALL RIGHTS RESERVED. BRAY.COM

EN_V-6008_S746_Knife Gate_20220203



THE HIGH PERFORMANCE COMPANY

BRAY.COM